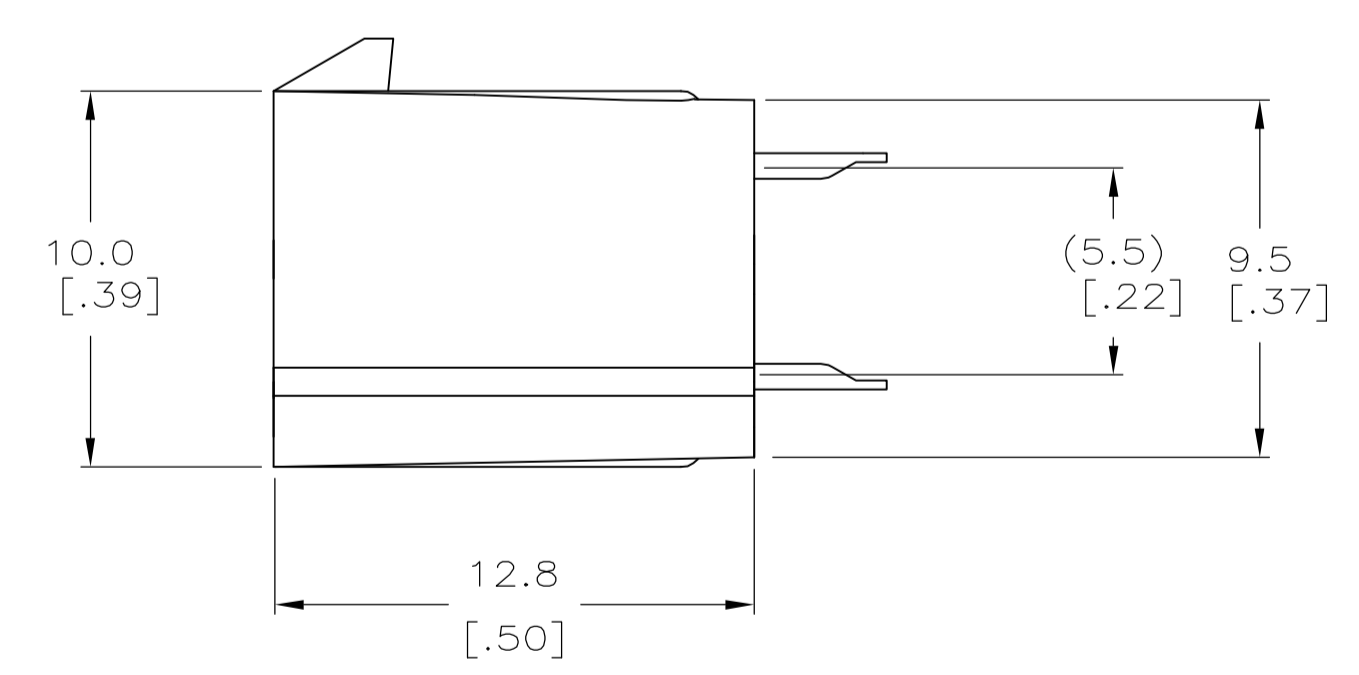
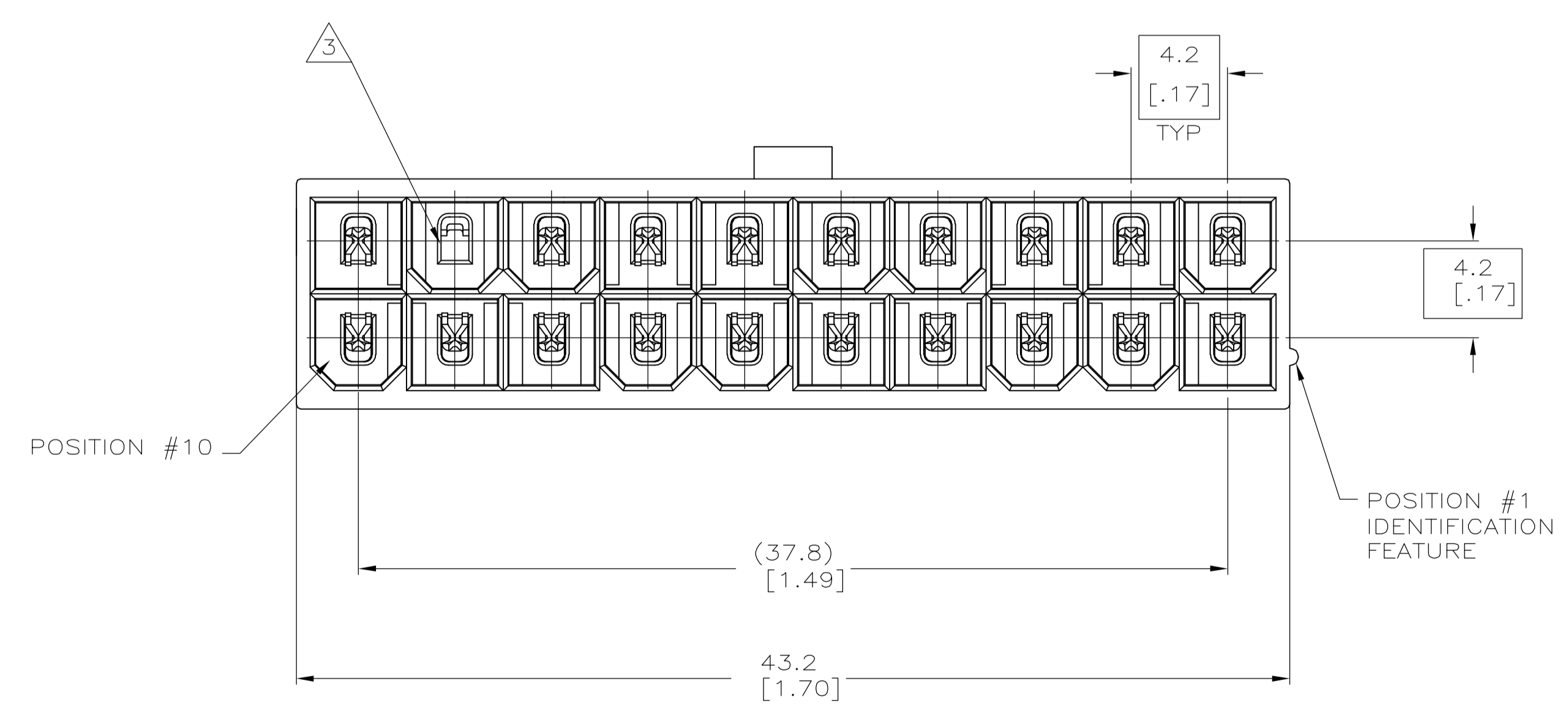


RECOMMENDED MOUNTING HOLE PATTERN FOR 1.78 [0.070] MAX THICK P.C. BOARD COMPONENT SIDE SHOWN

- 1 MATERIAL: HOUSING - NYLON, UL94V-0, COLOR - BLACK, CONTACTS - 0.25 [.010] THICK COPPER ALLOY.
- 2 CONTACT FINISH: 0.0030 [.000012] MINIMUM THICK TIN-LEAD OVER 0.00127 [.000050] MINIMUM THICK NICKEL OVER ENTIRE CONTACT.
- 3 CONTACT OMITTED FROM POSITION SHOWN.
- 4. SOLDER TAIL MEETS AMP SOLDERABILITY SPECIFICATION 109-11-2.
- 5. MATES WITH SIMILAR PLATED AMP-DUAC™ POWER CONNECTOR RECEPTACLE HOUSING/SOCKET CONTACTS.
- 6 CONTACT FINISH: 0.0030 [.000012] MINIMUM THICK TIN OVER 0.00127 [.000050] MINIMUM THICK NICKEL OVER ENTIRE CONTACT.



SUPERSEDED BY 1-794430-1

1	6	1	1	1-794430-1
1	2	1	1	794430-1
MATERIAL		FINISH		ASSEMBLY
PIN		HOUSING		

METRIC

THIS DRAWING IS A CONTROLLED DOCUMENT.

DIMENSIONS: mm [INCHES]	TOLERANCES UNLESS OTHERWISE SPECIFIED:	DWN S. HOOVER 02-MAR-2005	Tyco Electronics Corporation Harrisburg, Pa 17105-3608
0 PLC ± .2 [0.1]	1 PLC ± .13 [0.005]	CHK D. COLEY 02-MAR-2005	
2 PLC ± .13 [0.005]	3 PLC ± .13 [0.005]	APVD D. COLEY 02-MAR-2005	NAME
4 PLC ± .13 [0.005]	ANGLES ± 0° 30'	PRODUCT SPEC	ASSEMBLY, VERTICAL HEADER, 20 POSITIONS, HI TEMP, CIRCUIT 19 OMITTED, AMP-DUAC(TM) POWER CONNECTOR
MATERIAL SEE CHART	FINISH SEE CHART	APPLICATION SPEC	SIZE CAGE CODE DRAWING NO
		RESTRICTED TO	A1 00779 C=794430
		CUSTOMER DRAWING	SCALE 1:1 SHEET 1 OF 1 REV E